

R.E.V.™



Power Pack

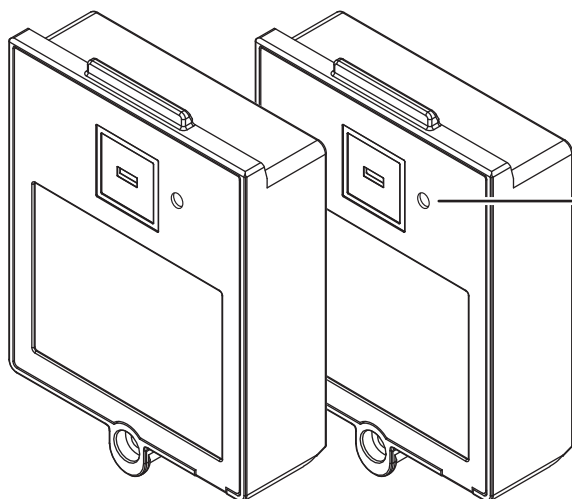
Manufactured and distributed by
© 2014 WowWee Group Limited.
All Rights Reserved.

WowWee Group Limited. Energy Plaza, 301A-C, 92 Granville Road
T.S.T. East, Hong Kong

WowWee Canada Inc. 3700 Saint-Patrick Street, Suite 206, Montreal
QC H4E 1A2, Canada

Customer Service: www.wowweezone.com

INSTRUCTION SHEET



LED Indicator
Red/Green Flashing: Battery Check
Red: Charging
Green: Full Charge

2 x Rechargeable Power Packs



2 x USB Cables

* Requires R.E.V.™ Complete Battle Pack



BATTERY INFORMATION

Installing or changing rechargeable battery in R.E.V.™:

1. To change the rechargeable battery, carefully lay the R.E.V.™ vehicle on its top. Do not place the R.E.V.™ vehicle where it could easily fall.
2. Using a Phillips screwdriver (not included) remove the screw on the battery compartment cover located on the bottom of the vehicle.
3. Insert the rechargeable battery according to the diagram.
4. Tighten screw using the screwdriver. Do not over-tighten.

LOW BATTERY INDICATORS:

When the rechargeable battery grow weak, the R.E.V.™ vehicle will begin to move slower than normal. When this occurs, power OFF and replace battery. For optimal play, replace the batteries on both vehicles at the same time.

NOTE: You will know when R.E.V.™'s batteries are nearly depleted because it will make a low battery indication sound and then power off. You can also see current battery levels via the R.E.V.™ smart device application.

WARNING!

Rechargeable batteries are only to be charged by adults.

The rechargeable battery pack must only be used with the USB cables included.

Parts to be cleaned with liquid are to be disconnected before cleaning.

This product is intended for indoor used only.

The product is not recommended for use on loose dirt or wet surfaces.

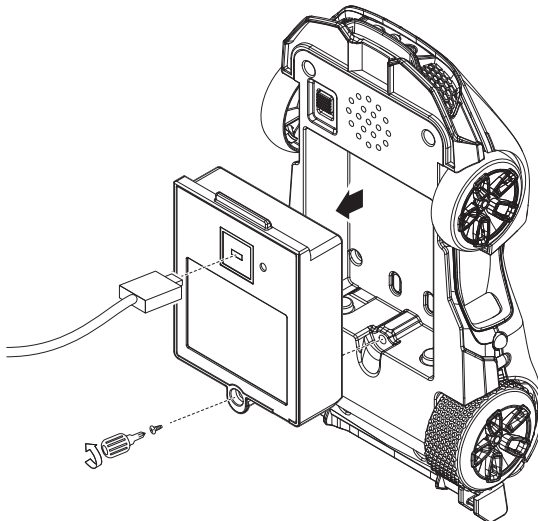
Do not immerse in water. Immersing this battery pack can result in electric shock.

Burn hazard, fire hazard and explosion hazard associated with mishandling of the battery.

To avoid possible hazards, do not crush, disassemble, dispose of in fire.

Note: Please visit our website for latest battery information and details.

CHARGING



We recommend that you retain our address for future reference.

Product and colors may vary.

Packaging printed in China.

WARNING! This product is not suitable for children under 3 years because of small parts -choking hazard.

MADE IN CHINA.

0436US02TOP_OT1