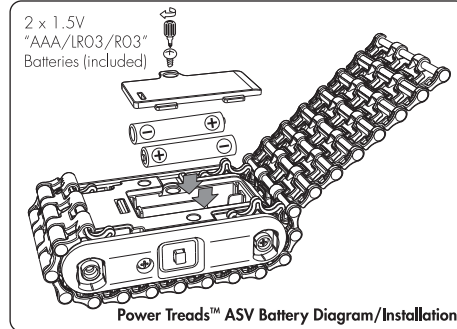


## Battery Replacement

**NOTE:** Make sure the main power button is set to OFF prior to changing the batteries. Ask a parent or adult for help. To install or change your Power Treads™ ASV batteries:

1. Remove the treads that wrap the outside of your Power Treads™ ASV.
2. Turn your Power Treads™ ASV over to locate the battery compartment door on the bottom.
3. Use a Phillips screwdriver (not included) to remove the screw on the battery compartment door.
4. Insert 2 x "AAA" batteries according to the diagram. Ensure that the positive and negative polarities match the illustrations inside the battery compartment.
5. Replace the battery compartment door and replace the screw using the screwdriver. Do not over-tighten.
6. Snap the treads that wrap your Power Treads™ ASV back into place.



Power Treads™ ASV Battery Diagram/Installation

## Important Information

### IMPORTANT BATTERY INFORMATION:

- Use only fresh batteries of the required size and recommended type.
- Do not mix old and new batteries, different types of batteries [standard (Carbon-Zinc), Alkaline or rechargeable] or rechargeable batteries of different capacities.
- Remove rechargeable batteries from the toy before recharging them.
- Rechargeable batteries are only to be charged under adult supervision.
- Please respect the correct polarity, (+) and (-).
- Do not try to recharge non-rechargeable batteries.
- Do not dispose of batteries into fire.
- Replace all batteries of the same type/brand at the same time.
- The supply terminals are not to be short-circuited.
- Remove exhausted batteries from the toy.
- Batteries should be replaced by adults.
- Batteries should be recycled or disposed of as per state and local guidelines.
- Protect the environment by not disposing of this product with household waste. Check your local authority for recycling advice and facilities.



Manufactured and distributed by WowWee Group Limited. Power Treads™ and all product names, designations, and logos are trademarks or registered trademarks of WowWee Group Limited. Copyright 2019 WowWee Group Limited. All rights reserved. Patent Pending.

Customer Service Website: <https://support.wowwee.com>

We recommend that you retain our address for future reference.

Product and colors may vary.

Keep the instruction sheet for future reference.

Packaging printed in China.

**WARNING!** This product is not suitable for children under 3 years because of small parts - choking hazard.

MADE IN CHINA

For warranty information, please visit <http://wowwee.com/information/warranty>

**WARNING!** This equipment may experience difficulty and/or memory loss when subjected to any electrostatic discharge, radio frequency interference, or sudden power surge/interruption. The user is encouraged to reset the equipment should any of these occur.



WowWee Group Limited  
Energy Plaza, 301A-C  
92 Granville Road  
T.S.T. East, Hong Kong

WowWee Canada Inc.  
3700 Saint Patrick Street  
Suite 206, Montreal, QC  
H4E 1A2, Canada



5555US01SUN\_MIM



Age: 5+

## USER MANUAL



Manufactured and distributed by  
© 2019 WowWee Group Limited.  
All Rights Reserved. Patent Pending.

WowWee Group Limited.  
Energy Plaza, 301A-C  
92 Granville Road  
T.S.T. East, Hong Kong

WowWee Canada Inc.  
3700 Saint Patrick Street  
Suite 206, Montreal, QC  
H4E 1A2, Canada

Customer Service

More information on: <https://support.wowwee.com>

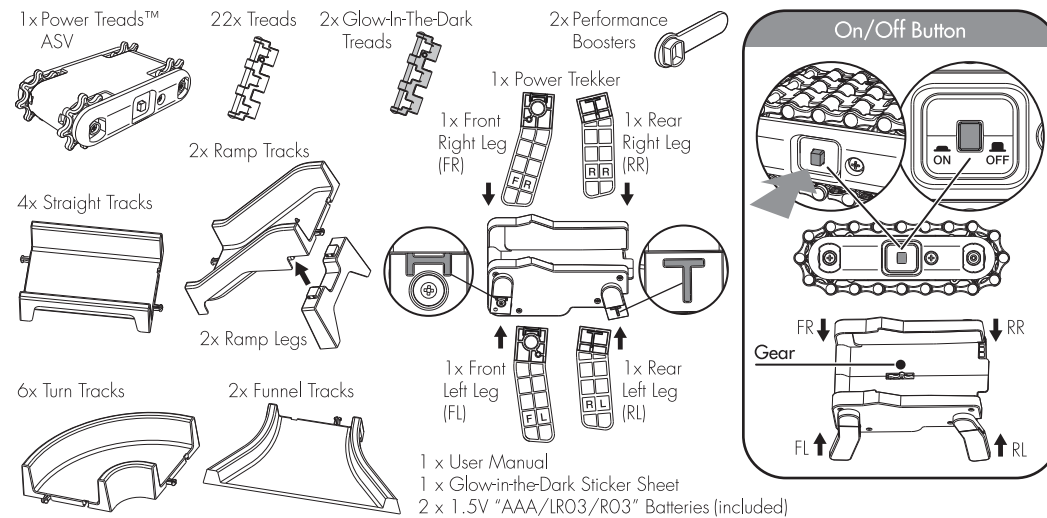
## Introduction

Thank you for purchasing Power Treads™ by WowWee®!

Power Treads™ are all-surface vehicles that flip, rip and roam all over your home! Build your Power Treads™ in a snap, then create your own custom course using the Power Treads™ modular track set. With 1000s of different track configurations, it's up to you to make, break and push the limits of what your Power Treads™ can do.

Take a few minutes to review this user manual before unleashing your Power Treads™!

## Contents



Take note of the following when playing with your Power Treads™:

- Do not immerse your Power Treads™ all-surface vehicle or Power Trekker in water or any other form of liquid.
- Do not try to stick anything in between the Power Treads™ tread pieces while they are connected or when the Power Treads™ all-surface vehicle is on.
- Do not try to stick anything inside the main gear of the Power Trekker.
- While Power Treads™ are all-surface vehicles, for best results, do not use your Power Treads™ ASV on sand, fine gravel, slime or anything that could get caught in between the treads.
- If your Power Treads™ ASV gets dirty, you can spot clean with a damp clean cloth; do not submerge in liquids.
- **As a best practice, we recommend tying up any loose hair when playing with Power Treads™ ASV. To avoid discomfort or injury, do not place the Power Treads™ ASV on or near a person's head or face.**

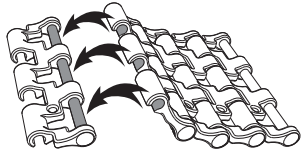
VISIT [POWERTREADS.COM](http://POWERTREADS.COM)  
FOR MORE INFORMATION, TIPS AND TRICKS. \*

\*Ask a parent or adult for help

**WARNING:**  
CHOKING HAZARD - Small Parts.  
Not for children under 3 years.

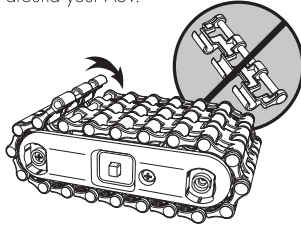
## How To Customize Your Power Treads™ All-Surface Vehicle (ASV)

Snap in the multi-colored treads + Glow-in-the-dark treads to customize your Power Treads™ ASV...

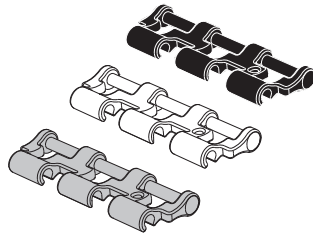


NOTE: You will only need 20 treads to wrap each ASV. 4 extras are provided.

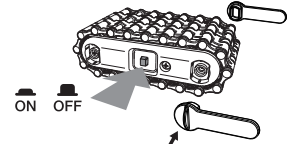
Clip each tread piece into one another so the smooth surface of each is facing outside when the treads are wrapped around your ASV.



Change and rearrange them as you play to create your own custom pattern!

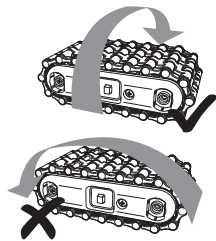


Push the button on the side of your Power Treads™ ASV to power on and off.



Pro Tip: Snap on performance boosters to steady your Power Treads™ ASV on tough terrain!  
Performance Boosters for rough terrain only. Not compatible with other accessories.

To change the direction of your Power Treads™ ASV, flip over sideways (side to side, not back to front).



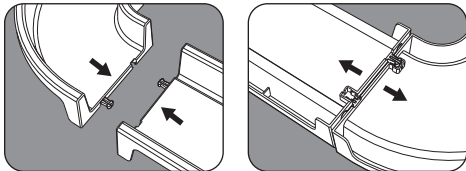
If your Power Treads™ ASV slows down, experiences difficulty climbing the ramp, or won't turn on, it likely needs a battery replacement.



See Battery Replacement instruction

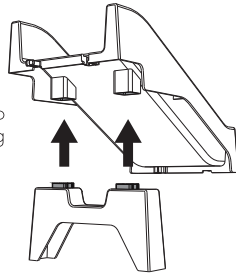
## How To Create Your Course

Line up the connectors on the end of each track piece to firmly lock into place.



Pro Tip: To detach, hold the tracks parallel and pull apart carefully to avoid breakage.

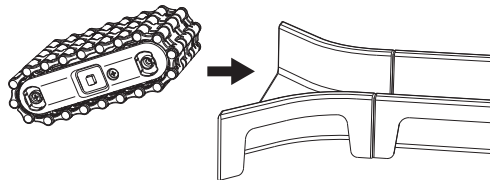
Ramp up! Assemble the two ramp track pieces by snapping the bottom legs into place.



Use household items (not included) to create obstacles for your Power Treads™ ASV to power over, under and through.



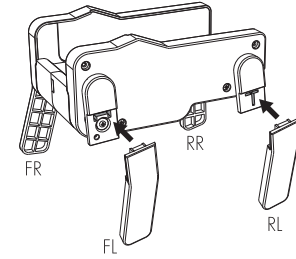
Build your course! Keep tracks close together for more control or expand them out for more challenging routes!



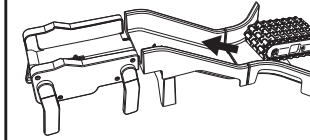
Pro Tip: Use the funnel piece to guide your Power Treads™ ASV as you expand your course.

## How To Power Up Your Power Trekker

The Power Trekker comes unassembled. Snap each of the 4 legs into place.

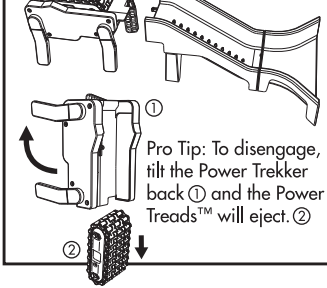


Line up the Power Trekker with a ramp piece to complete your setup.



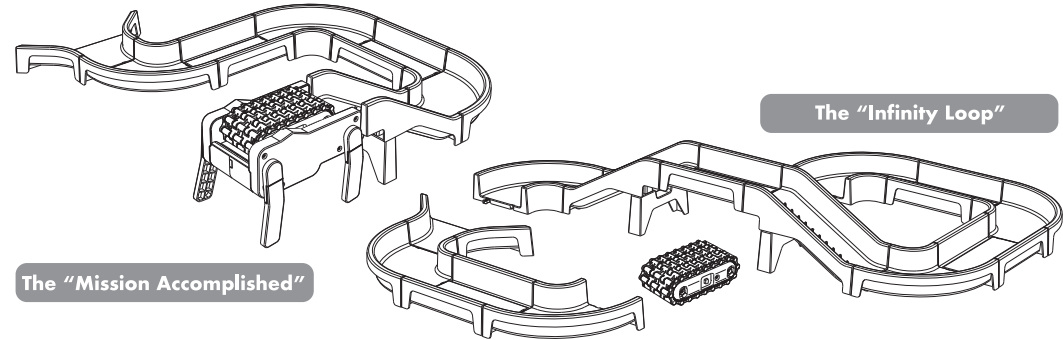
Pro Tip: For optimal performance, use the Power Trekker on smoother surfaces.

Big finish! Watch your Power Trekker walk away!



Pro Tip: To disengage, tilt the Power Trekker back ① and the Power Treads™ will eject. ②

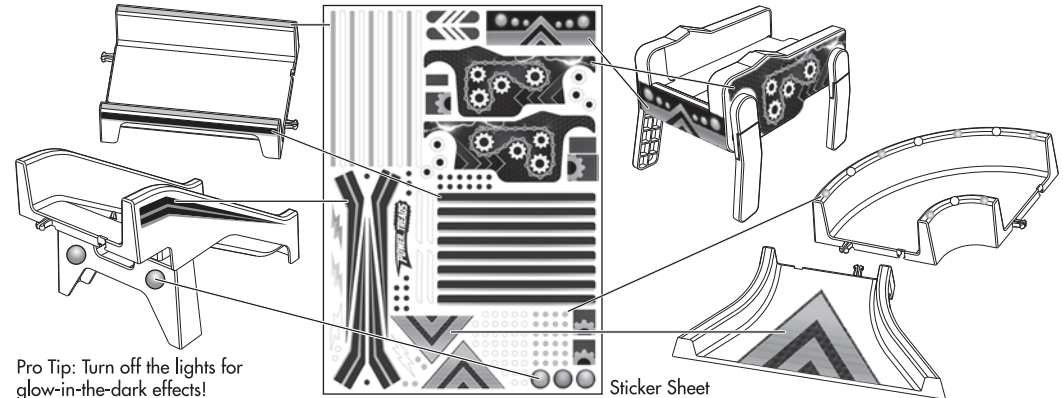
## Get Started With These Turbo-Charged Course Ideas



The "Infinity Loop"

The "Mission Accomplished"

## Add Stickers



Pro Tip: Turn off the lights for glow-in-the-dark effects!

Sticker Sheet

## Show Us What You Can Do With Your Power Treads™!

Ask a parent or adult to take a video of your Power Treads™ ASV in action and upload it to social media with the hashtag #powertreads!